

Philosophy

Stephan Just Diamant & Abrichttechnik – This name stands particularly for a high product quality and accuracy in the manufacturing of premium-quality diamond dressing tools for our customer all around the world. The success of our company is due to enthusiasm, commitment, know-how, professionalism and creativity of each employee. Accomplishing our goals, we concentrate the potential of every employee, to reap the benefits of this work together.

Since our foundation in 2005, we tend to embrace every customer production wish. Every order is going to be fulfilled individually and precisely.

Due to increasing demand for our diamond dressing tools, we moved our production to a much bigger and better place in 2013. The movement was completed in 2017, when the administration was transferred next to the production. Since every production step is connected to each other, we can now guarantee a better communication and a much closer collaboration.

We are adapting our economic proceeding to the circumstances, to be always one step ahead of the changing. Innovation is written in capital letters, referring to both products and the newest technology.

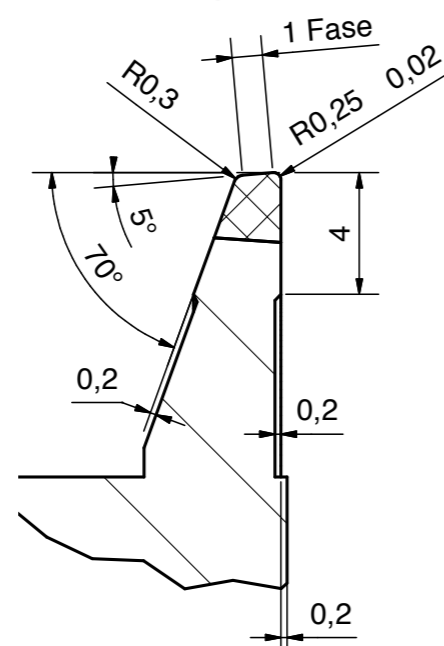
All in all, we strive for a cooperative and long-term relationship with our business partners and customer, which is shaped by fairness, confidence and reliability.

Our product range includes:

- 1 Form rolls (tip profiles with radii down to 0,02mm)
- 2 Profile rolls (available in extremely precise dimensions)
- 3 Crusher dresser rolls
- 4 Infiltrated tools (with outstanding service life)

Service:

- 5 Repair service for both original and third party products



Quality is our hallmark



DIAMANT- & ABRICHTTECHNIK GmbH & Co. KG

Grafftring 1 · D-29227 Celle · Tel: +49 (0) 5141 98 00 706 · Fax: +49 (0) 5141 98 00 708
info@sjustwerkzeuge.com www.sjustwerkzeuge.com

DIAMOND TECHNOLOGY OF DRESSING TOOLS



STEPHAN JUST
Diamond Dressing Rolls

PRECISION DRESSING TOOLS

Form rolls · Profile rolls · Infiltrated tools

Form rolls

CVD-dressing roll



CVD-diamond coat



CVD-dressing roll



CVD-diamond coat



CVD-dressing roll



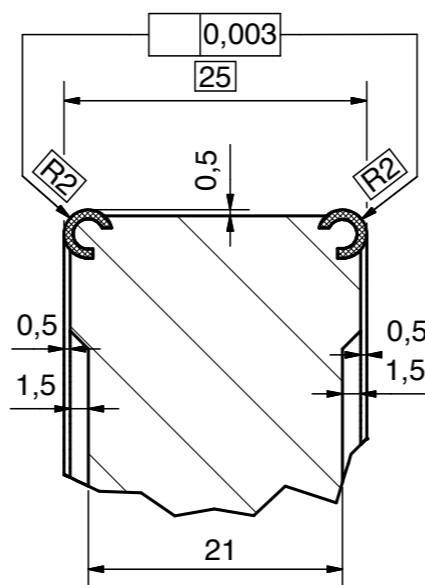
CVD-diamond coat



CVD-dressing roll



CVD-diamond coat



Form roll



Natural diamond grain (handset)



Form roll



Natural diamond grain (randomly distributed)



Form roll



elongated longs



Form roll



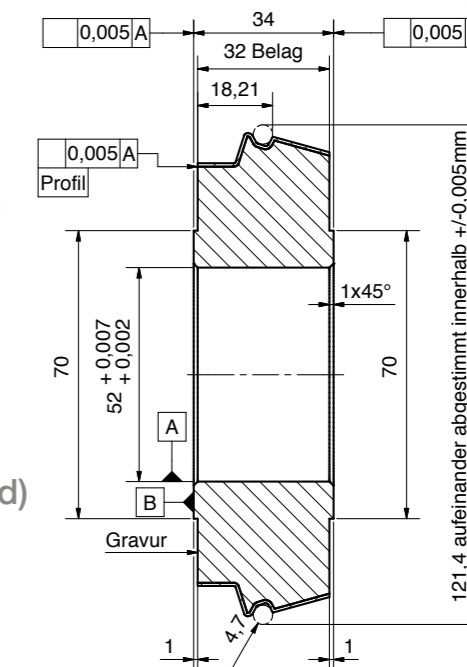
elongated longs



Profile rolls



Natural diamond grain
(handset and randomly distributed)



Infiltrated tools



Infiltrated tools

